





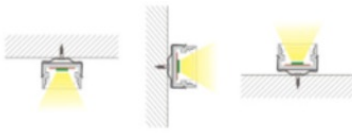
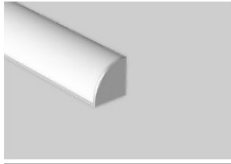
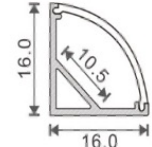
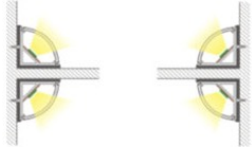
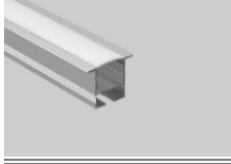
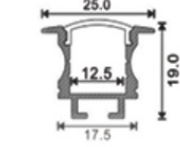

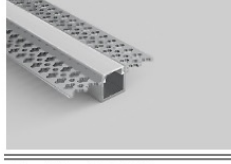
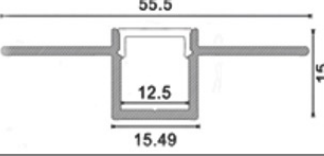
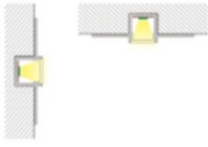

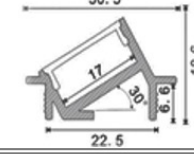
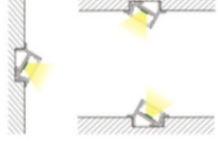
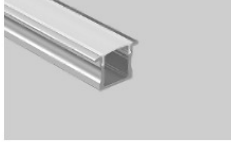
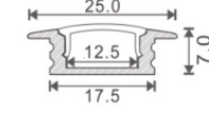

product Data

LIGHTING OF LONDON

Profiles

Manufactured to the highest standards, all our aluminium profiles are supplied with end caps and fixing clips, perfect for heat dissipation, with an opal diffuser to eliminate LED spotting. Profiles are supplied in 2 metre lengths.

If installing an LED strip into a profile and the placement of the profile will be directly visible, please refer to the guide below:

Profile: LINE					
			LINEAR.240	No Spotting	
			LINEAR.350	No Spotting	
			LINEAR.RGBW	Spotting Visible	
Profile: COVE					
			LINEAR.240	No Spotting	
			LINEAR.350	No Spotting	
			LINEAR.RGBW	Spotting Visible	
Profile: WASH					
			LINEAR.240	No Spotting	
			LINEAR.350	No Spotting	
			LINEAR.RGBW	Spotting Visible	
Profile: PLASTER					
			LINEAR.240	No Spotting	
			LINEAR.350	No Spotting	
			LINEAR.RGBW	Spotting Visible	
Profile: LEAN					
			LINEAR.240	No Spotting	
			LINEAR.350	No Spotting	
			LINEAR.RGBW	Spotting Visible	
Profile: FLUSH					
			LINEAR.240	Spotting Visible	
			LINEAR.350	No Spotting	
			LINEAR.RGBW	Spotting Visible	