

# product Data

LIGHTING OF LONDON

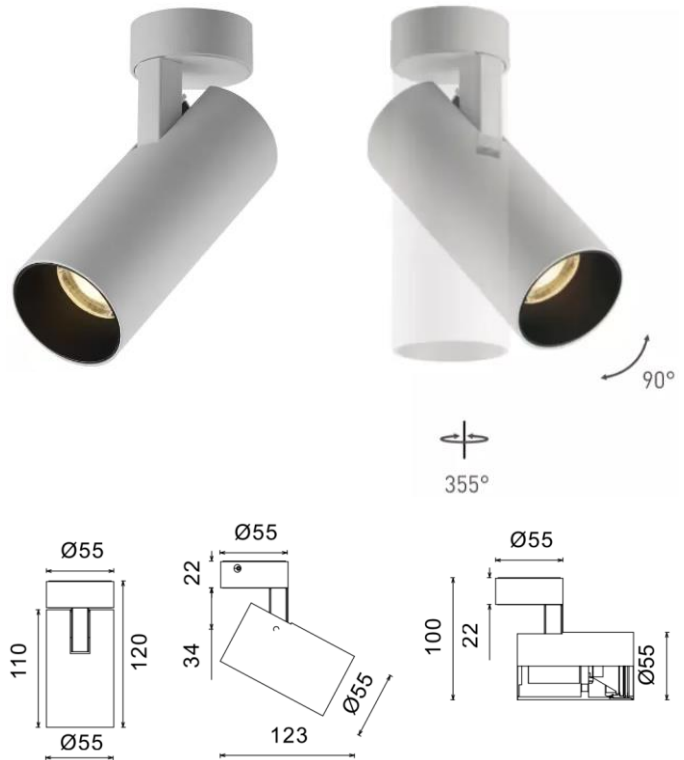
## Follow.Me.S

The S model in the Follow.Me range is a ceiling mounted spotlight combining a fully adjustable 355° horizontal mobility with 90° vertical positioning for accurate lighting of objects.

Measuring a maximum of 120mm from the ceiling, the Follow.Me.S is a subtle fitting, yet it provides a warm 2700K of light onto artwork, ornaments or purely to express a welcoming ambiance within the room.

The fitting comes in an array of beam angles, from a sharp 15° to a spread of 60°.

Material	Aluminium
Lumen Output	669Lm
LED	DC500mA (Built-in driver)
Lifespan	>50,000 hrs
CRI	>90
Input Voltage	240V DC
Power	8W
Size	55Ø x 120mm
Cut-out	-
Beam Angle	15°, 24°, 36°, 60°
Dimmable	TRIAC Dimmable
IP Rating	20
Working Temperature	-20° - +40°C
Binning	1 SDCM
Colour Temperature	2700K
Finish	White or Black Powder Coat



Illuminance at a Distance

Height	Max E	Beam angle 15°	Ave E	Diameter
3.28ft	Emax		E(lx)	1.35ft
1.0m	5,123 lx		3,572 lx	0.41m
6.56ft			2,727 lx	
2.0m	1,280 lx		893 lx	0.83m
9.84ft			4,077 lx	
3.0m	569 lx		396 lx	1.24m
13.12ft			5,417 lx	
4.0m	320 lx		222 lx	1.65m

Height Max E Beam angle 15° Ave E Diameter

Illuminance at a Distance

Height	Max E	Beam angle 24°	Ave E	Diameter
3.28ft	Emax		E(lx)	1.41ft
1.0m	4,535 lx		3,278 lx	0.43m
6.56ft			2,857 lx	
2.0m	1,133 lx		819 lx	0.87m
9.84ft			4,107 lx	
3.0m	503 lx		363 lx	1.25m
13.12ft			5,717 lx	
4.0m	284 lx		204 lx	1.74m

Height Max E Beam angle 24° Ave E Diameter

Illuminance at a Distance

Height	Max E	Beam angle 36°	Ave E	Diameter
3.28ft	Emax		E(lx)	1.61ft
1.0m	2,262 lx		1,656 lx	0.49m
6.56ft			3,257 lx	
2.0m	565 lx		414 lx	0.99m
9.84ft			4,897 lx	
3.0m	251 lx		184 lx	1.49m
13.12ft			6,537 lx	
4.0m	141 lx		103 lx	1.99m

Height Max E Beam angle 36° Ave E Diameter

LIGHTING OF LONDON. Worlds End Studios, London. SW10 0RJ

<https://www.lightingoflondon.co/> +(44) 020 7349 7222

© All Rights Reserved