

Lighting of London

Product Datasheet

Profile.40



+(44)0207 139 5129



enquiries@lightingoflondon.co

The Profile.40 is a beautifully engineered minimal downlight suitable for both dry and humid interiors. An intensely deep black baffle combined with an extra slim aluminium powder coated bezel allows for a low glare and minimal architectural lighting.

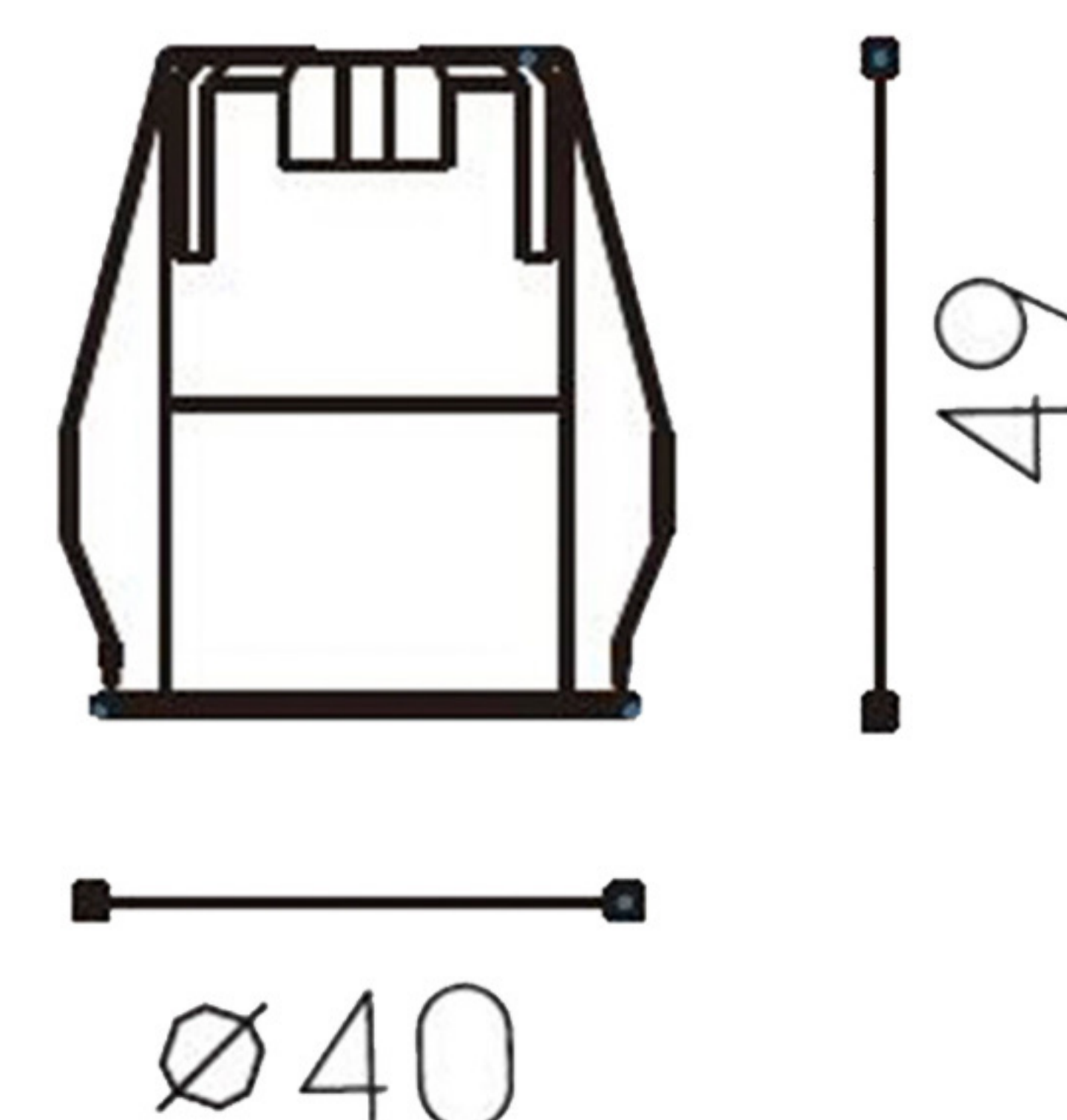
The Profile.40 has a superior designed heat sink, allowing for cool running while only requiring 49mm height clearance.

The fitting produces a 25° beam, with Correlated Colour Temperatures (CCT) of a warm 2700K or a cool white 4000K.



Material	Aluminium
Lumen Output	160Lm
LED	CREE XP-E LED 2.1W DC700mA 3v
Lifespan	> 50,000 hrs
CRI	> 95
Input Voltage	-
Power	-
Power Factor	>0.50
Size	Ø 40 * 49mm
Beam Angle	-
Cut Out	Ø 32mm
Fire & Acoustic Rated	60 min
IP Rating	20
Working Temperature	-20°C – +40°C
Binning	1 SDCM
Colour Temperature	2700K, 4000K
Finish	White Powder Coat or Black

25°	LUX	cm	
1.0m	261Lx	43	52
2.0m	65Lx	87	105
3.0m	29Lx	130	158
4.0m	16Lx	174	211



LIGHTING OF LONDON. Worlds End Studios, London. SW10 0RJ

<https://www.lightingoflondon.co>, +(44) 020 7139 5129

© All Rights Reserved



LIGHTING OF LONDON