

Lighting of London

Product Datasheet

Spot.35.T



+(44)0207 139 5129

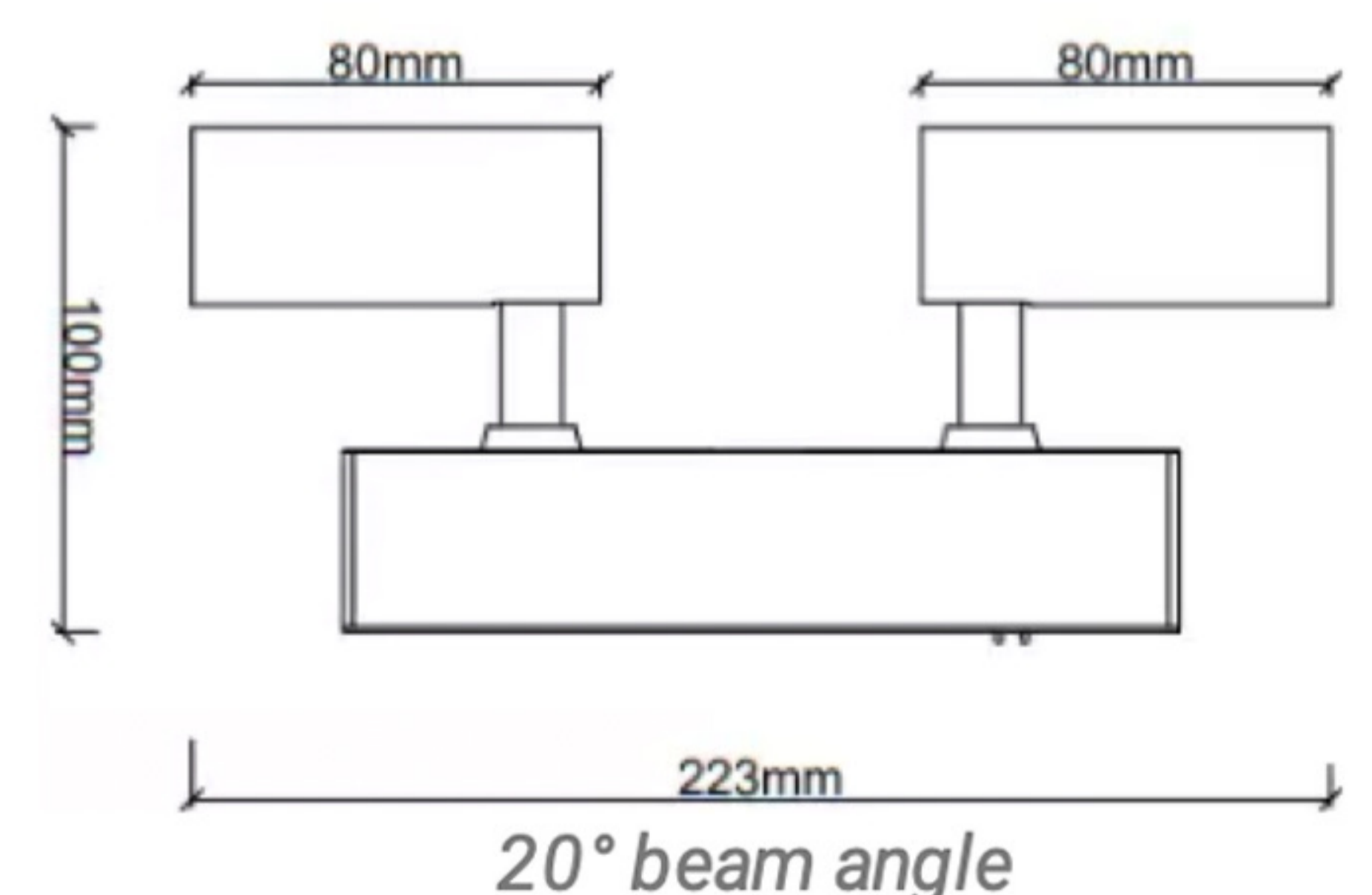
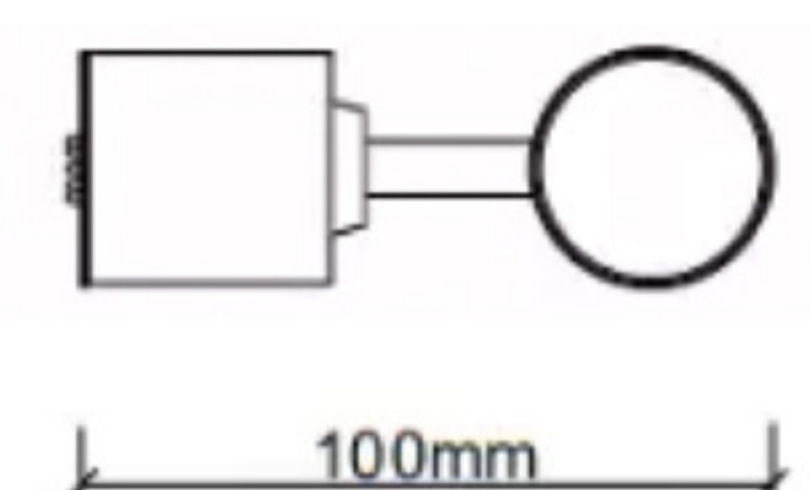
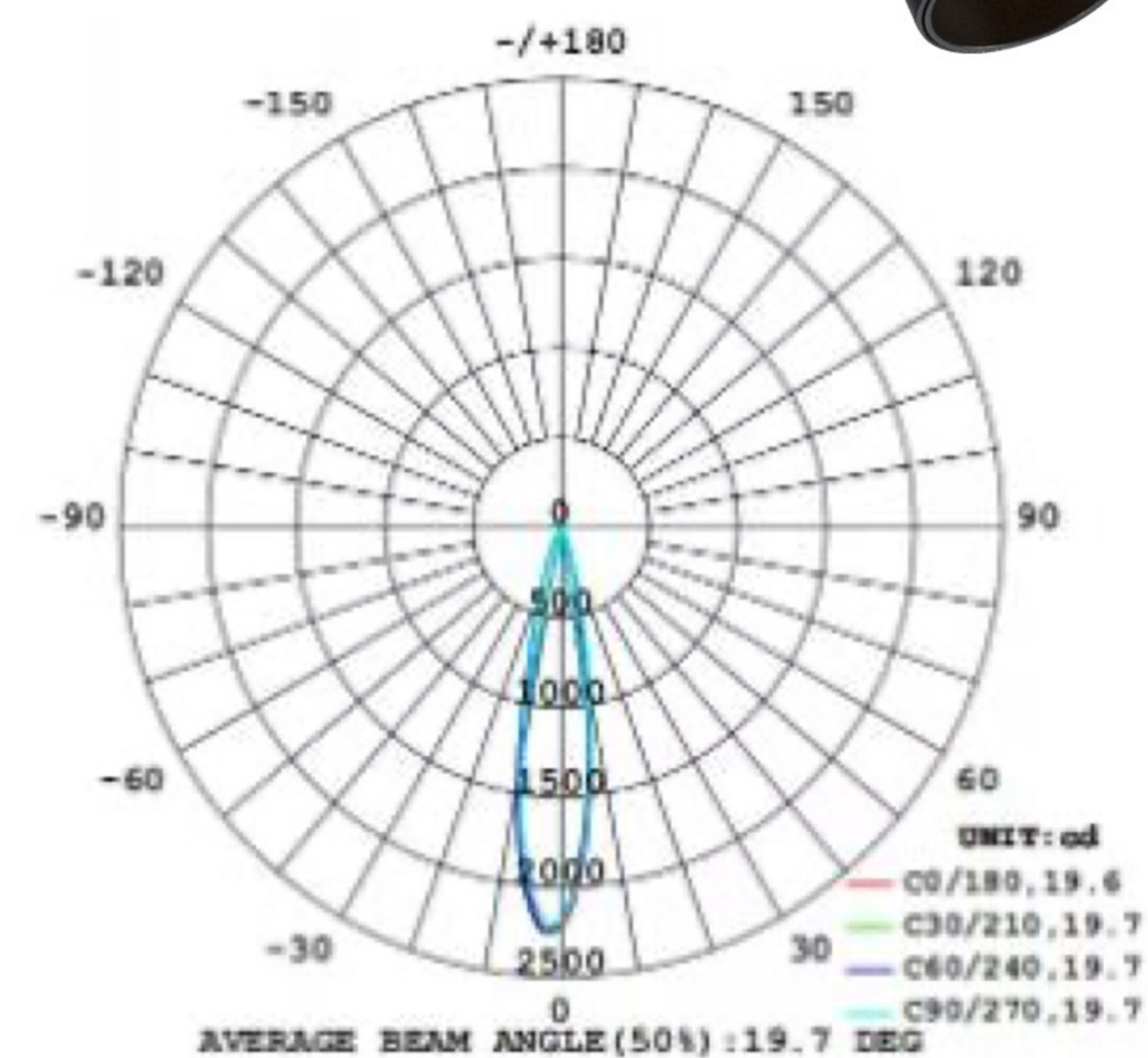


enquiries@lightingoflondon.co

The Spot.35.T magnetic LED module is magnetically connected to the Magtrak profile providing superior appearance and installation. It provides two beautiful beams to project on to, and enhance, any surface.

The Spot.35.T twin spots come in three beam angles: 20°, 30° and the wider 40°, offering 360° directional focus.

The fitting is finished in a stylish black powder coating.



| | E(lx) | D(m) |
|----|-------|------|
| 1m | 385 | 0.66 |
| 2m | 171 | 1.00 |
| 3m | 125 | 1.16 |
| 4m | 96 | 1.33 |
| 5m | 76 | 1.50 |

| | |
|----------------------------|------------------------|
| Material | Aluminium |
| Lumen Output | 2 x 440Lm |
| LED | 2 x CREE 5W 24V DC |
| Lifespan | > 50,000 hrs |
| CRI | > 90 |
| Input Voltage | 24V DC |
| Power | 2 x 5W |
| Power Factor | >0.50 |
| Size | Ø 35 x 80mm |
| Beam Angle | 20°, 30°, 40° |
| Cut Out | - |
| Dimmable | TRIAC or DALI Dimmable |
| IP Rating | 20 |
| Working Temperature | -20° - +40°C |
| Binning | 1 SDCM |
| Colour Temperature | 2700K |
| Finish | Black Powder Coat |

LIGHTING OF LONDON. Worlds End Studios, London. SW10 0RJ

<https://www.lightingoflondon.co>, +(44) 020 7139 5129

© All Rights Reserved



LIGHTING OF LONDON