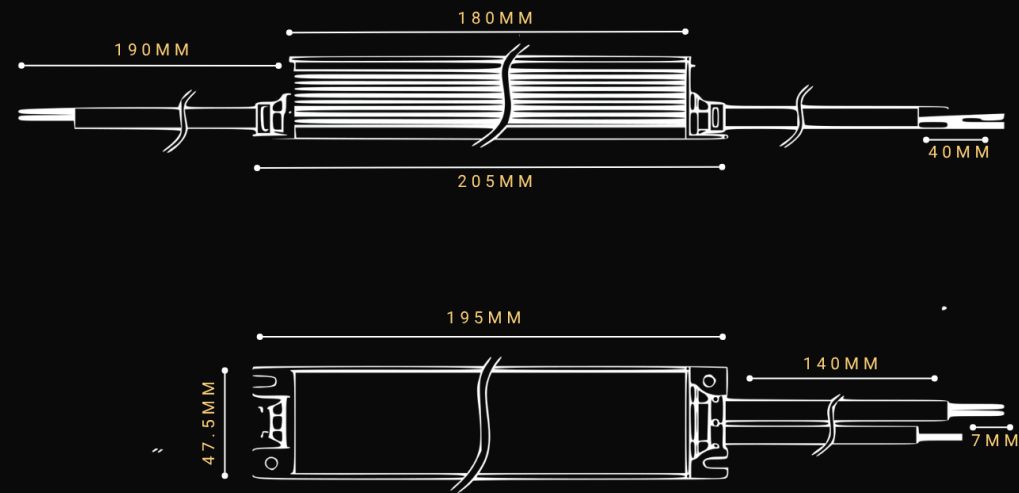


POWERHUB.100



Output Voltage	24Vdc	Input Current	< 1A
Output Current	4.20A	Efficiency	88%
Output Power	100W	In-Rush Current	Cold Start 70A
Strobe Level	No Flicker	Anti-Surge	L - N: 2kV
Dimming Range	0 - 100%	Leakage Current	< 0.5mA / 230Vac
PWM Dimming Frequency	> 3600K	Working Temperature	45°C - 85°C
Dimming Interface	TRIAC Leading / 0-10V / 1-10V	IP	42
Input Voltage Range	200 - 250Vac	Over-Current Protection	Shut Down >102% (Auto Recovers)
Frequency	50/60Hz	Short Circuit Protection	Shut Down Short Circuit (Auto Recovers)